

# Shielded Stacked 2x2 RJ45

8P/8C Shielded Stacked and Ganged 2x2 RJ45 Ethernet Connectors



## Product Features:

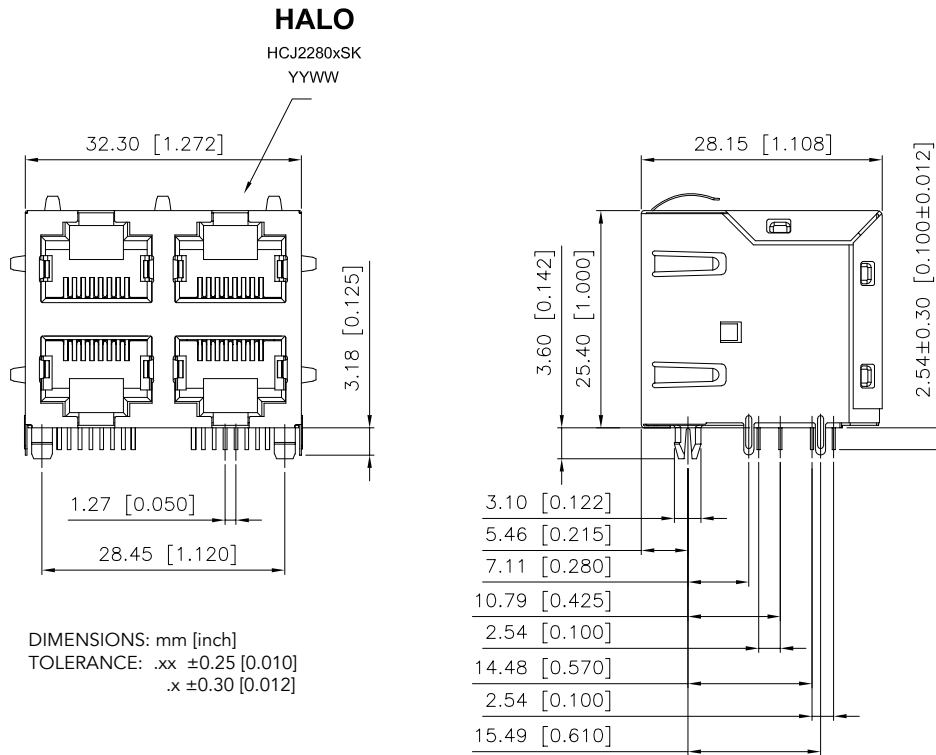
- Shielded RJ45 2x2 Connectors
- Minimum of 750 Mating Cycles
- Multiple Gold Contact Plating Options
- DWV - 1500VAC Contact to Shield
- Current Rating - 1.5A
- Voltage Rating - 125V
- UL94V-0 Flammability Rating

Part Number	Mechanical	Contact Gold Plating (min)	Operating Temp Range	LED Color (L/R)
HCJ22-802SK	A	6 $\mu$ "	-40°C to +85°C	None
HCJ22-804SK	A	30 $\mu$ "	-40°C to +85°C	None
HCJ22-805SK	A	50 $\mu$ "	-40°C to +85°C	None
HCJ22-802SK-L11	B	6 $\mu$ "	-40°C to +85°C	Green/Green
HCJ22-804SK-L11	B	30 $\mu$ "	-40°C to +85°C	Green/Green
HCJ22-805SK-L11	B	50 $\mu$ "	-40°C to +85°C	Green/Green
HCJ22-802SK-L12	B	6 $\mu$ "	-40°C to +85°C	Green/Yellow
HCJ22-804SK-L12	B	30 $\mu$ "	-40°C to +85°C	Green/Yellow
HCJ22-805SK-L12	B	50 $\mu$ "	-40°C to +85°C	Green/Yellow
HCJ22-802SK-L21	B	6 $\mu$ "	-40°C to +85°C	Yellow/Green
HCJ22-804SK-L21	B	30 $\mu$ "	-40°C to +85°C	Yellow/Green
HCJ22-805SK-L21	B	50 $\mu$ "	-40°C to +85°C	Yellow/Green

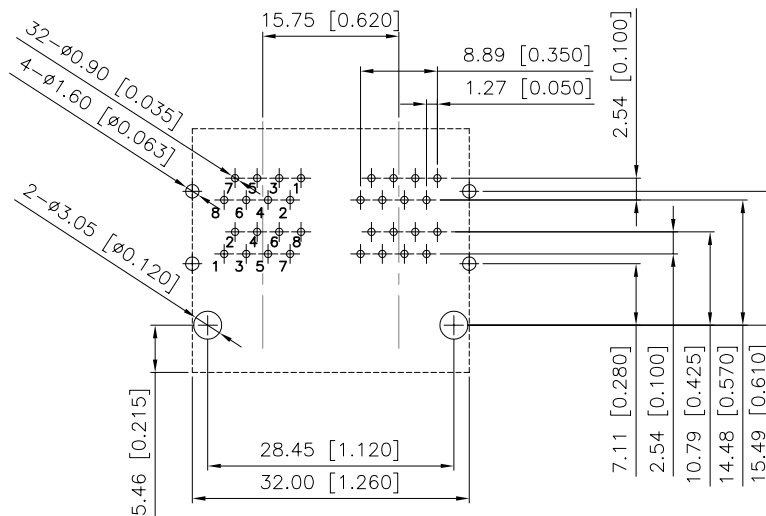
### Notes:

1. Alternate footprints, shielding, and LED colors available. Please contact the factory for additional information.
2. Part specific datasheets available upon request.

A - Mechanical (w/o LEDs)

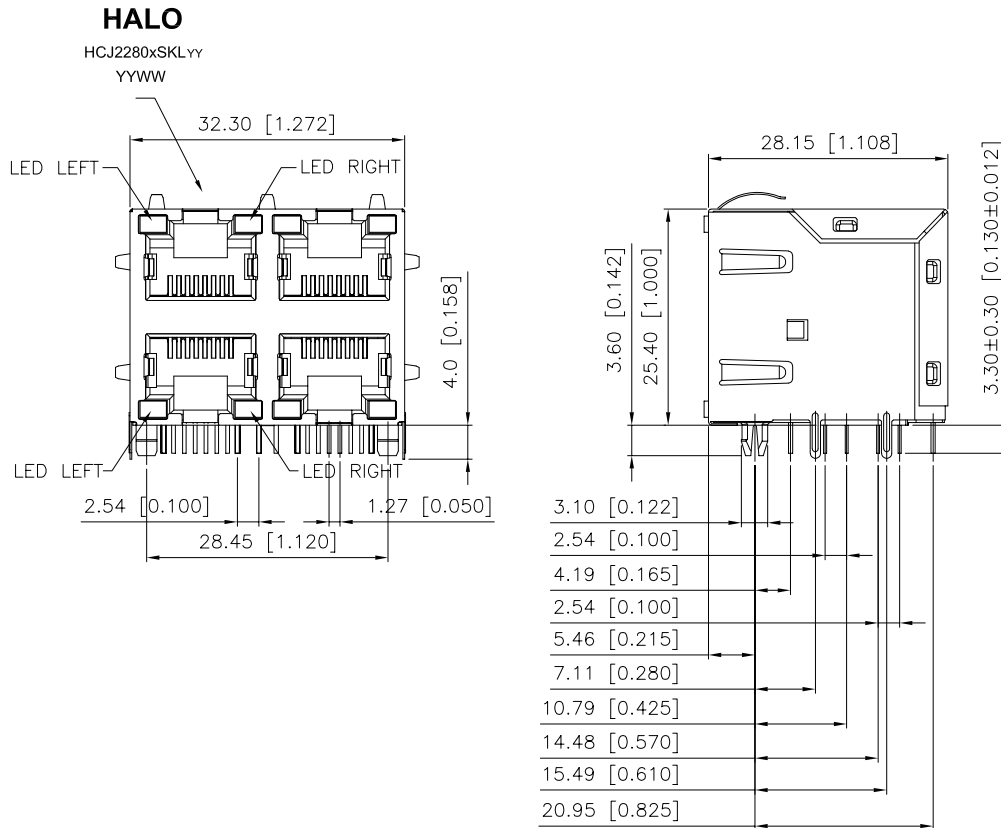


A - PCB Layout (w/o LEDs)

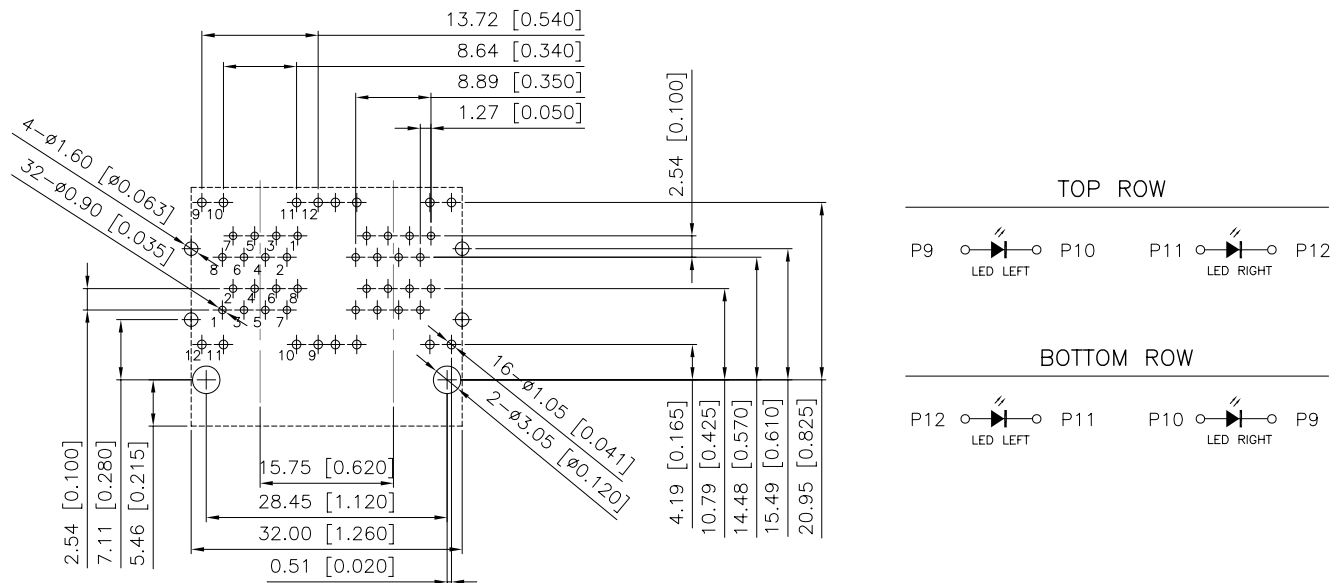


Recommended PCB Layout (Top View)  
Dimensional Tolerance: ±0.08 [0.003]

## B - Mechanical (w/ LEDs)

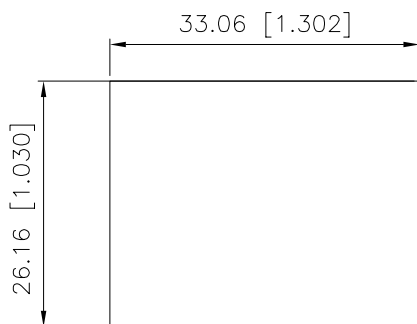


## B - PCB Layout (w/ LEDs)



Recommended PCB Layout (Top View)  
Dimensional Tolerance:  $\pm 0.08$  [0.003]

Recommended Panel Cutout



2880 Lakeside Drive #116  
Santa Clara, CA 95054  
(650) 903-3800  
[www.haloelectronics.com](http://www.haloelectronics.com)

HALO® Electronics is a leading supplier of high quality communication magnetics including signal transformers, filters, CMR chokes, PoE power transformers, DC/DC converters, and integrated Ethernet connectors. HALO's leading edge technology solutions are manufactured in ISO9001 and ISO14001 factories offering high quality products at a competitive price.