

PART NO. : HCJ11-8A2UK

8P/8C, RIGHT-ANGLE, UNSHIELDED, THROUGH-HOLE
 LEAD-FREE/RoHS COMPLIANT

OPERATING TEMPERATURE: -40°C/+85°C

VOLTAGE/CURRENT: 125VAC/1.5A

MATERIAL:

HOUSING: HIGH THERMOPLASTIC, UL94V-0, BLACK

CONTACTS: PHOSPHOR BRONZE

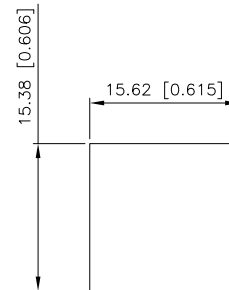
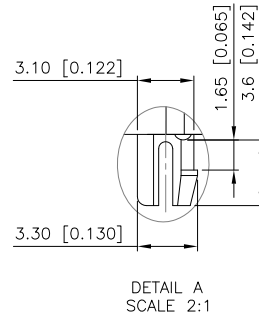
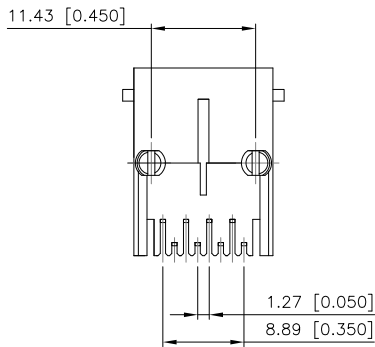
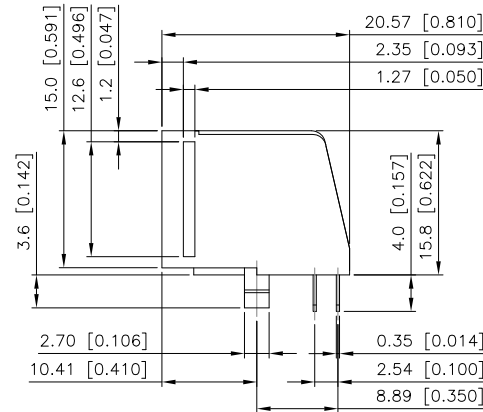
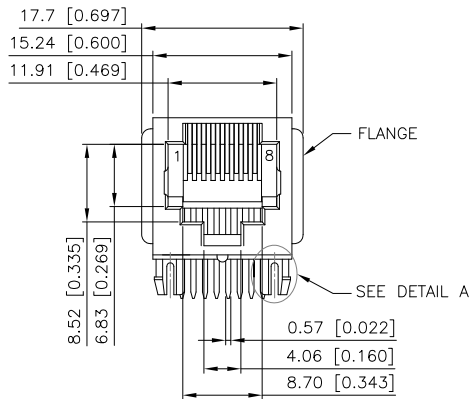
6u" GOLD PLATING ON CONTACT AREA,

NICKEL UNDERPLATING OVERALL

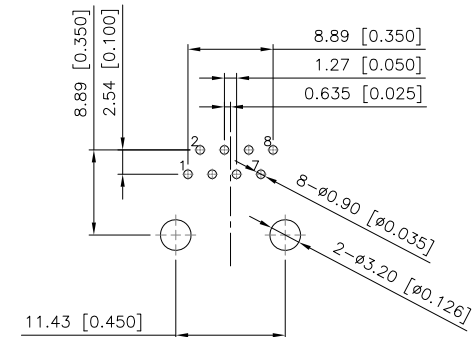
INSERTION/EXTRACTION FORCE: 4 POUNDS MAX.

DURABILITY: 750 MATING CYCLES MIN.

CAVITY CONFORMS TO FCC RULES AND REGULATIONS
 PART 68, SUBPART F




RECOMMENDED
 PANEL CUTOUT DIMENSION



SUGGESTED PCB LAYOUT (TOP VIEW)
 DIMENSIONAL TOLERANCE: ±0.08 [0.003]

DIMENSIONS: mm [inch]
 TOLERANCE: .XX ±0.25 [0.010]
 .X ±0.30 [0.012]
 * NO MARKINGS ON THE PART

	TITLE	8P/8C RIGHT-ANGLE RJ45	SIGNATURES		DATE	REV.	DESC.	DATE
	FOR	UNSHIELDED, THROUGH-HOLE	DRAWN	LI ZHI ZHONG	2/27/19	A	INITIAL RELEASE	2/27/19
CALIFORNIA, USA KOWLOON, HONG KONG SINGAPORE	PART NO.	HCJ11-8A2UK	CHECKED	LEI KEONG	2/27/19			
	SCALE	NONE	APPROVED	PETER LU	2/27/19			
	PAGE	1 OF 1	FILE	HCJ11-8A2UK.DWG				