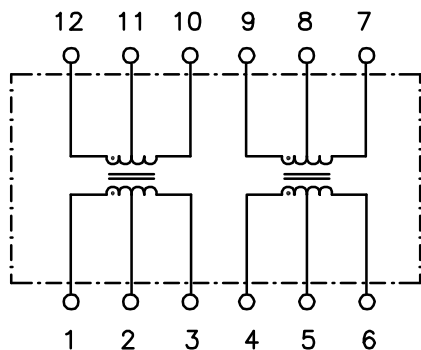


DIMENSIONS : Inch [mm]
CO-PLANARITY : 0.004 [0.10]



PART NO. : TGR110-Q350NC

12PIN SMT ISOLATION MODULE
DESIGNED FOR FAST ETHERNET APPLICATIONS
MEET UL1950 REINFORCED INSULATION REQUIREMENTS
DUAL-LAYER INSULATION FROM WINDINGS TO CORE
OPERATING TEMPERATURE 0/+70°C

ELECTRICAL SPECIFICATIONS @ 25°C

TURNS RATIO P1-3:P12-10 P4-6:P9-7	1CT:1CT ±3% 1CT:1CT ±3%
OCL (100KHz,0.1Vrms,8mA) P1-3,P4-6	350µH min
DCR P1-3,P4-6	0.9Ω max
LL P1-3,P4-6	0.8µH max
Cw/w	15pF max
CROSSTALK (1-100MHz)	-40dB min
ISOLATION	4,500Vrms/60 sec

HALO/PBL

CALIFORNIA, USA
KOWLOON, HONG KONG
SINGAPORE

TITLE	TRANSFORMER MODULE	SIGNATURES	DATE	REV.	DESC.	DATE
FOR	FAST ETHERNET	DRAWN	PETER LU	5/9/03	A	
PART NO.	TGR110-Q350NC	CHECKED				
SCALE	NONE	APPROVED				
PAGE	1 OF 1	FILE	Q350NC.DWG			